

Features:

- Front End Switcher for use in Distributed Power Systems
- SSI Compliant (Server System Infrastructure)
- Hot-Swap N+1 Redundant Operation
- I²C Bus, EEPROM built-in
- Fan speed control for low noise and improved reliability
- Class B Emissions
- Front Panel LED Status Indicators
- Optional Reverse Airflow



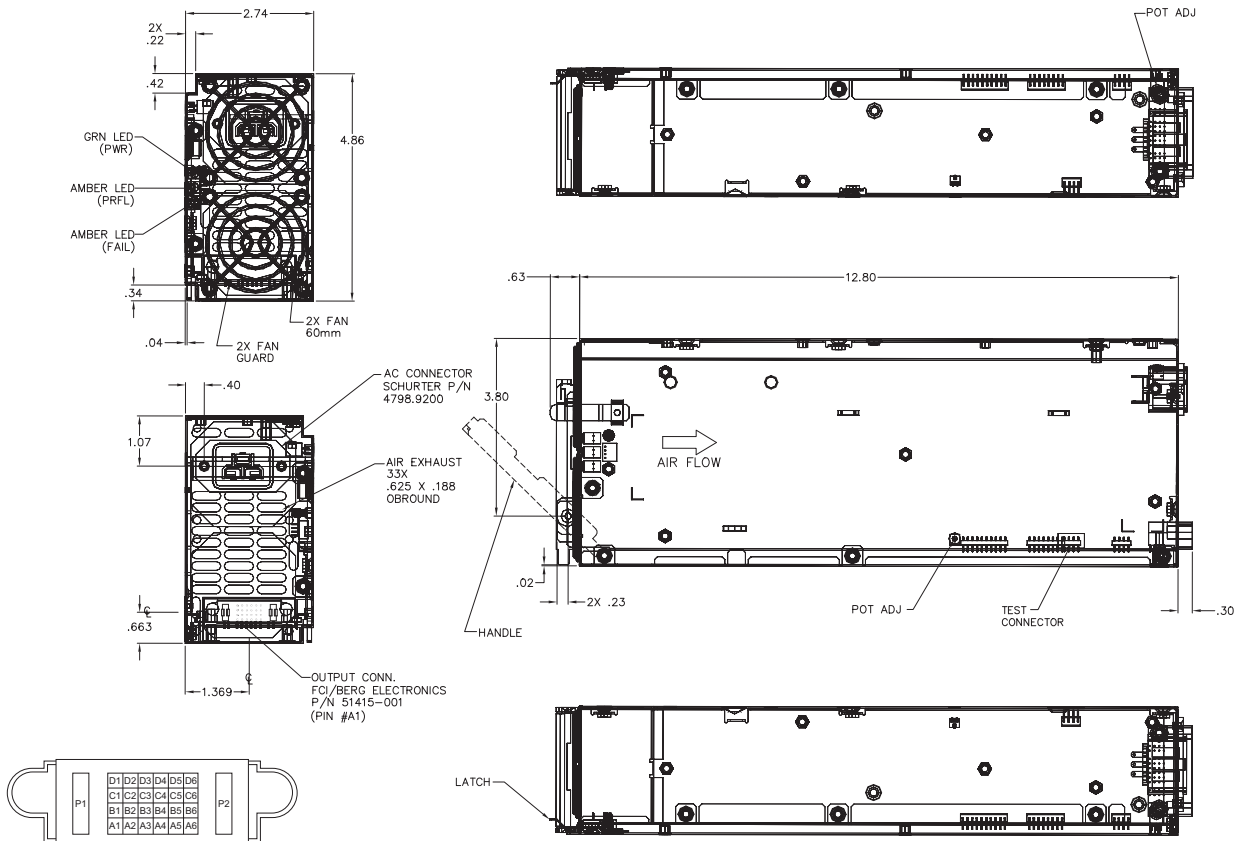
FEATURES	BENEFITS
No minimum load required	Eliminates the need for preload on system backplane
Active current share	Provides system load balancing and increased reliability
SSI compliant	Supports architecture for file server/workstations/datacom
Collapsible handle	Reduces space and eliminates the need of tools for insertion and extraction of the supply
I ² C Bus Communication	Supports power supply remote access

KEY MARKETS & APPLICATIONS
■ Networking Equipment
■ Distributed Power Architectures
■ File Servers
■ Workstations
■ Industrial Applications

SPECIFICATIONS	1200 Watt 48 VDC Front End Power Supply with 12VSB / 4A	
Input Voltage Range	90-264VAC, 47-63Hz	
Input Inrush Protection	MOV's Gas Tube (Inrush current < 35A)	
EMI	Conforms to CISPR22 Level A and FCC20780 Part 15, Class A	
Power Factor	0.99 at full load and nominal line	
Efficiency	85% typical at 180 VAC (measured at full load)	
Hold-up Time	20ms at Full Load and 115 VAC input operation	
Output Channel	V1	V2 (12VSB)
Output Configuration	+48V @ 24 A	+12.5V @ 4A
Line Regulation	± 0.10 VDC	± 0.05 VDC
Load Regulation	± 0.55 VDC	± 0.125 VDC
Output Ripple & Noise	250mv (p-p)	120mv (p-p)
Transient Response	±1.45V @ 50% Load step	±0.50V @ 50% Load step
Current Limit Protection	26.4- 36A	4.1- 6.75A
Over-Voltage Protection	52.1- 55.0V	13.4-14.2V
Under-Voltage Protection	39.6- 42V (sensed at the anode side)	10.0 - 10.43V (sensed at the anode side)
Output Power	1200W @ High-line (180-264VAC) & 1000W @ Low-line (90-180VAC)	
Operating Temperature	0-50°C Full Load, derates above 50°C. Thermal Shutdown of 95°C at PFC heat sink and 100°C at Rectifier heat sink.	
Analog Status & Control	Single Wire Current Share, Remote Sense, Remote on/off, AC OK, DC OK, PS Present, PS Kill, AC Range and	
Signals	PS Kill, Predictive Failure, Power Supply Present, Power Supply Alert	
I ² C Status & Control Signals	Alert, 48V Fail, 12V Fail, Temperature Monitor, Voltage Monitor, Fan Monitor, Current Monitor, Temperature Monitor, PSM Interface, PSM Write, PSM Reset, PSMProtocols, PSM Read, Interrupt Status Register, Monitor Cycle Time, Hours in Operation Clock	
LED Indicators	AC OK, DC OK, Power Supply Failure, Current Limit, Predictive Failure	
Cooling	Two Internal Thermally Controlled Fans	
Shock & Vibration	MIL STD-810F	
Dimension	12.80 x 2.74 x 4.86" / 325.1 x 69.6 x 123.4mm	
Weight	7.0 lbs / 3.18 kg	
Safety Approvals	UL/cUL60950, EN60950, CE Mark (LVD) TUV	

Specifications listed assume 25°C Ambient Operating Temperature and Full Load Operation unless otherwise specified. This product is qualified for use in OEM equipment and is not appropriate for stand-alone operation. The information contained within this specification is believed to be true and correct at the time of publication, however, Cherokee International accepts no responsibility for consequences arising from printing errors or inaccuracies. The information and specifications contained herein are subject to change without notice.

OUTLINE DRAWING



Connector is FCI / Berg Part No. 51415-001

	1	2	3	4	5	6
D	12VSB	RETURN	48LS	AC RANGE	SCL	A0
C	12VSB	RETURN	ACOK #	PRFL	REVERSED	A1
B	12VSB	RETURN	PSON #	PSKILL	SDA	A2
A	FANP	PS ALERT	PRESENT #	PWORK	FAIL	FANC

SIGNAL	DESCRIPTION
48LS	48V LOAD SHARE BUS
12VSB	12V STANDBY OUTPUT
RETURN	12V STANDBY RETURN
PSON #	POWER ENABLE INPUT
PRESENT #	POWER SUPPLY PRESENT
FANC	FAN CONTROL SIGNAL
PS ALERT	POWER ALERT TO SYSTEM
PWOK	POWER OK OUTPUT
ACOK #	AC OK OUTPUT
PSKILL	SUPPLY FAST SHUTDOWN
FAIL	FAILURE SIGNAL
PRFL	PREDICTIVE FAILURE
SCL	CLOCK SIGNAL
AC RANGE	AC OPERATING RANGE
SDA	DATA SIGNAL
A0	ADDRESS BIT 0
A1	ADDRESS BIT 1
A2	ADDRESS BIT 2
FANP	FAN PWR INPUT PIN
FANC	FAN CONTROL SIGNAL

LED INDICATOR CHART

Power Supply Condition	PWR (Green)	PRFL (Amber)	FAIL (Amber)
No AC power to all PSU	OFF	OFF	OFF
No AC power to this PSU only	OFF	OFF	ON
AC present / Standby output ON	Blinking	OFF	OFF
Power supply DC outputs ON and OK	ON	OFF	OFF
Power Supply Failure	OFF	OFF	ON
Current Limit of 48VDC output	ON	OFF	Blinking
Predictive Failure	ON	Blinking / Latched	OFF

Specifications listed assume 25°C Ambient Operating Temperature and Full Load Operation unless otherwise specified. This product is qualified for use in OEM equipment and is not appropriate for stand-alone operation. The information contained within this specification is believed to be true and correct at the time of publication, however, Cherokee International accepts no responsibility for consequences arising from printing errors or inaccuracies. The information and specifications contained herein are subject to change without notice.