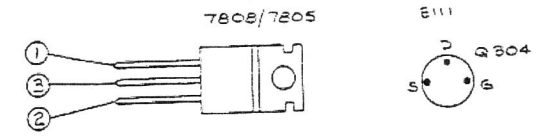
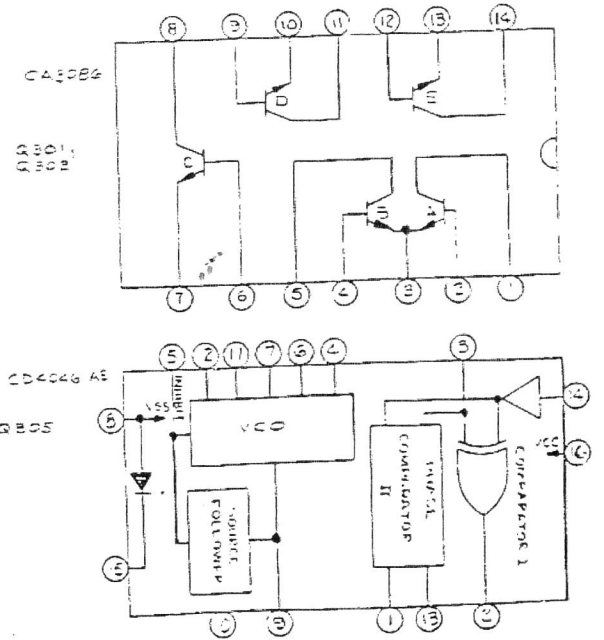
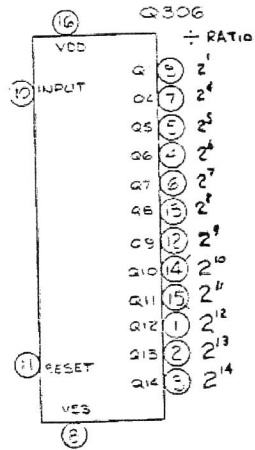
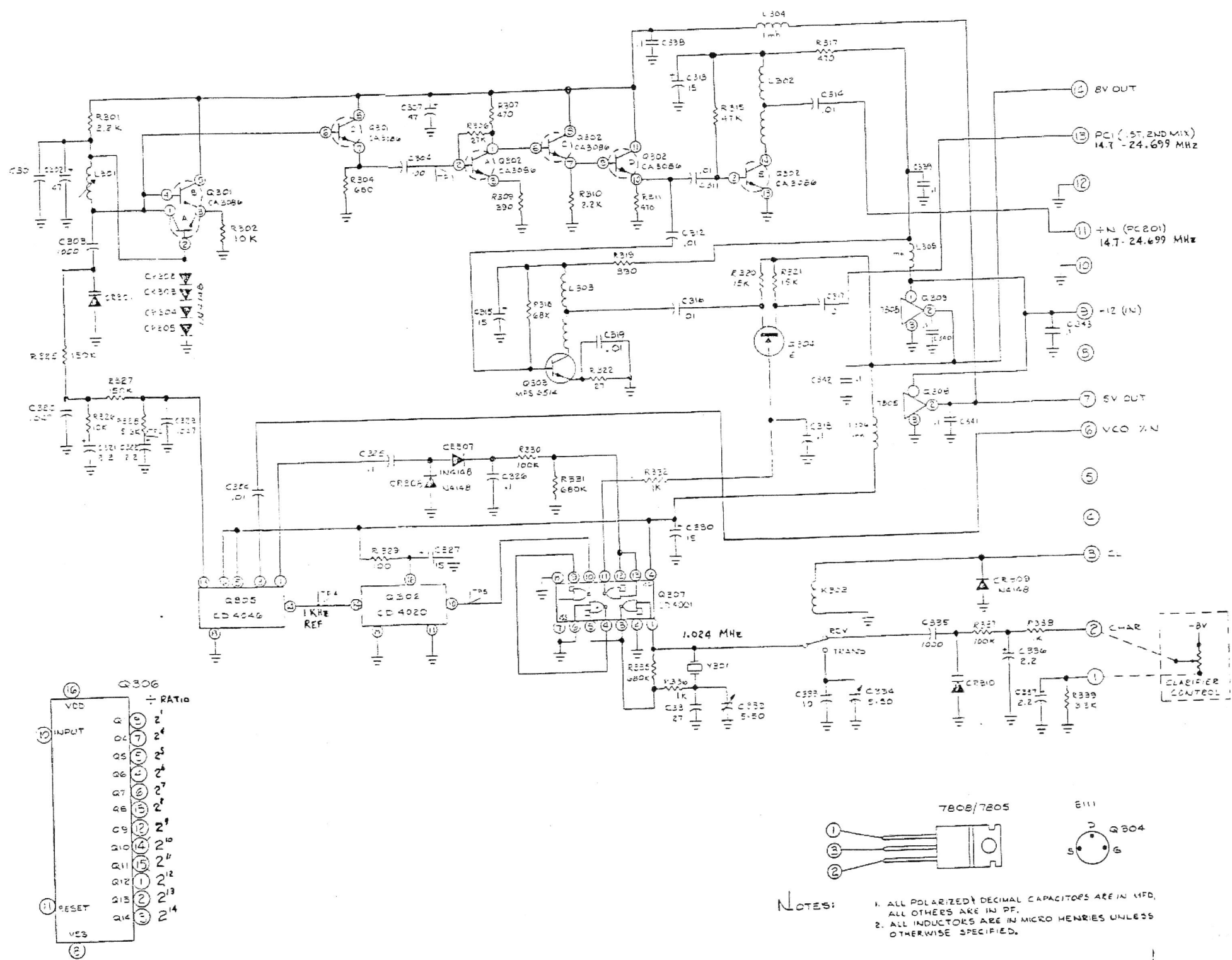


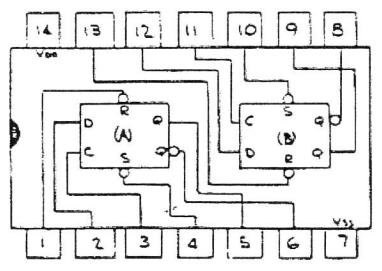
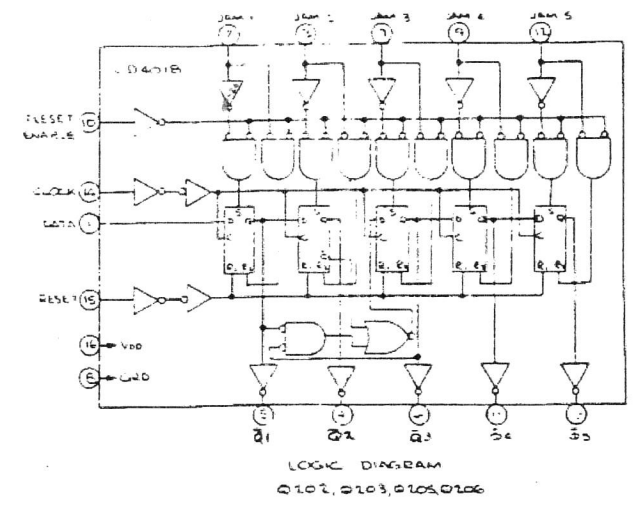
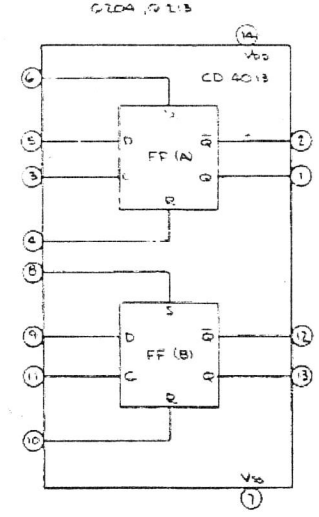
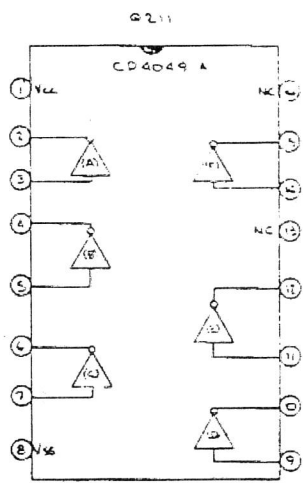
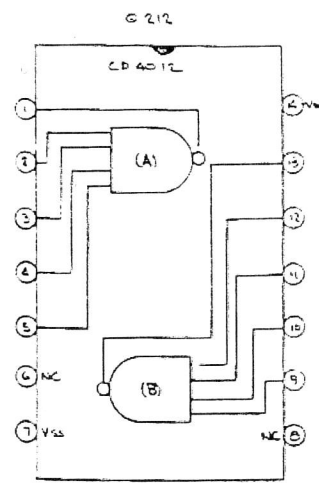
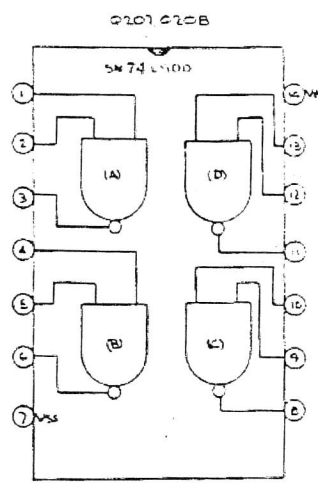
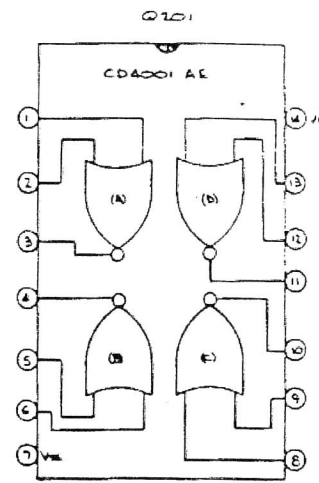
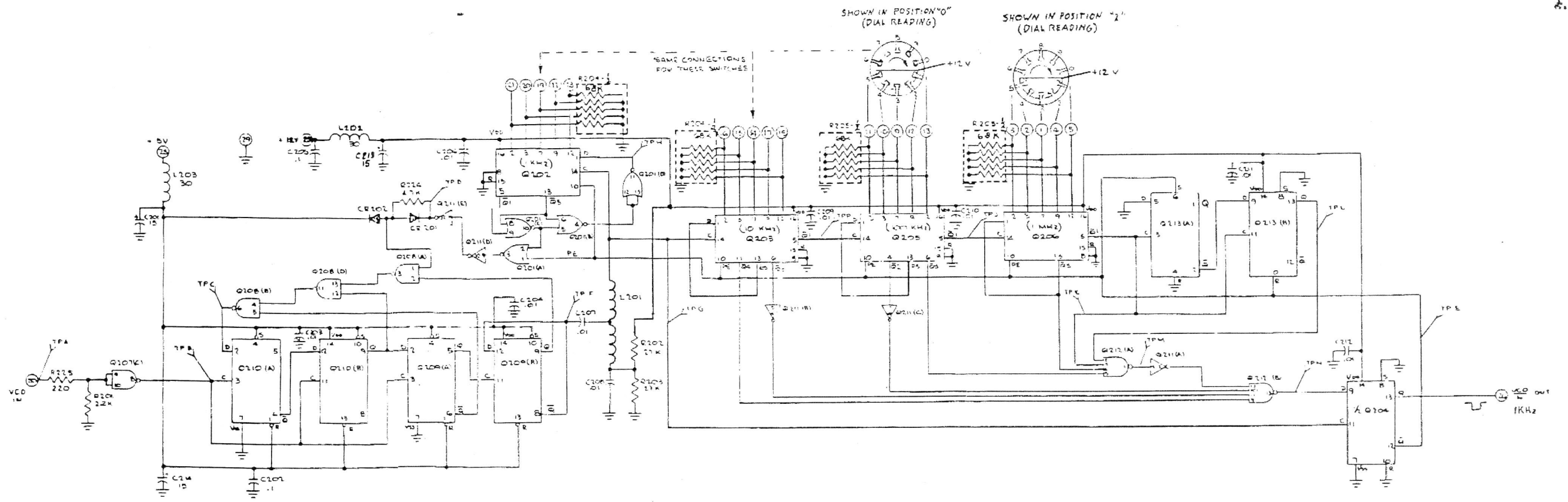
2. ALL INDUCTORS ARE IN MICRO HENRYS.
 1. ALL POLARIZED AND DECIMAL CAPACITOR ARE IN MFD ALL OTHERS ARE IN PF.
 NOTES: UNLESS OTHERWISE SPECIFIED

Figure 3.7. PC401 Schematic Diagram



NOTES:
 1. ALL POLARIZED DECIMAL CAPACITORS ARE IN MFD, ALL OTHERS ARE IN PF.
 2. ALL INDUCTORS ARE IN MICRO HENRIES UNLESS OTHERWISE SPECIFIED.

Figure 3.9. PC301 Schematic Diagram



Q209
Q210 = SN7474

Figure 3.11. PC201 Schematic Diagram

